

4

3

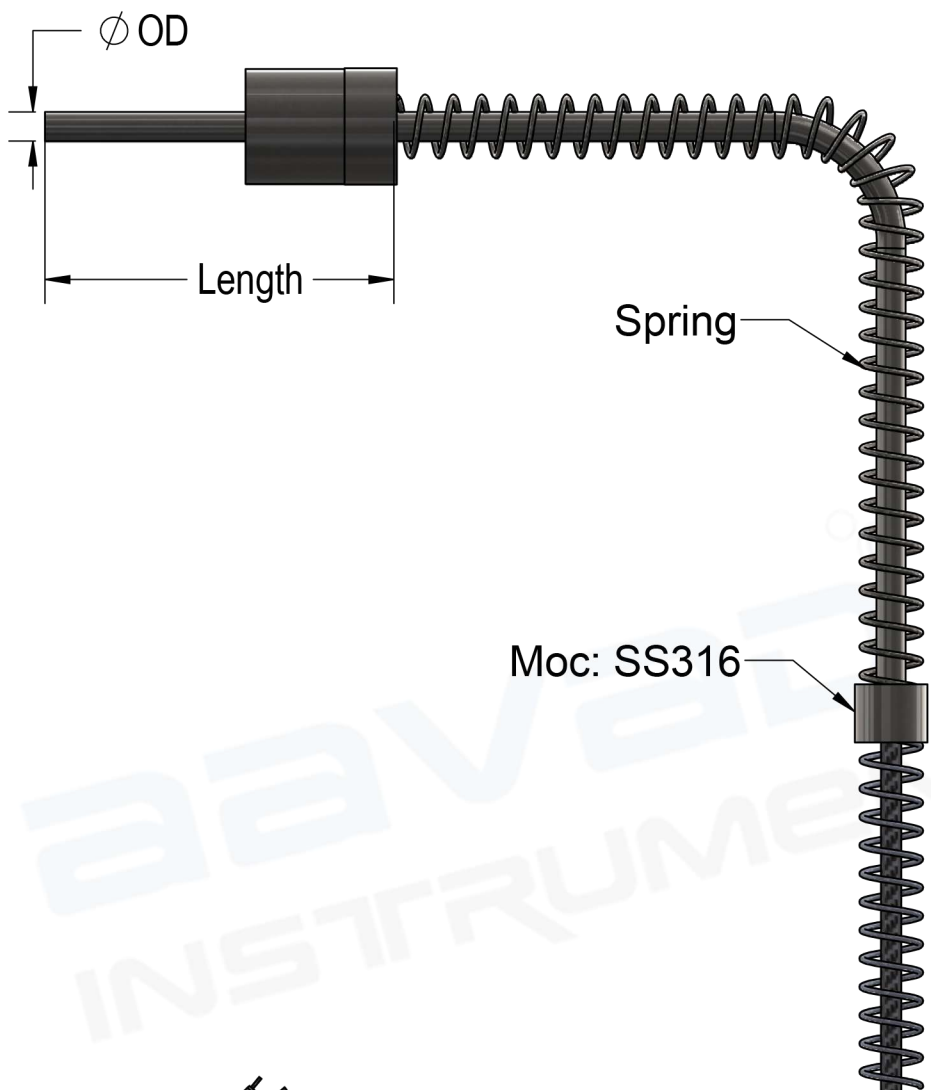
2

1

F

F

L Type Spring Rotate Thermocouple



E

E

D

D

C

C

B

B

A

A

4

3

2

1