

4

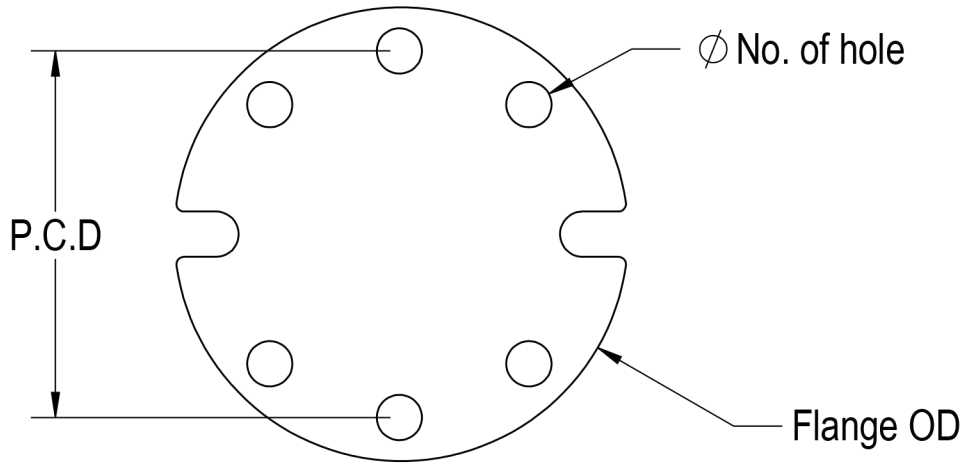
3

2

1

F

F

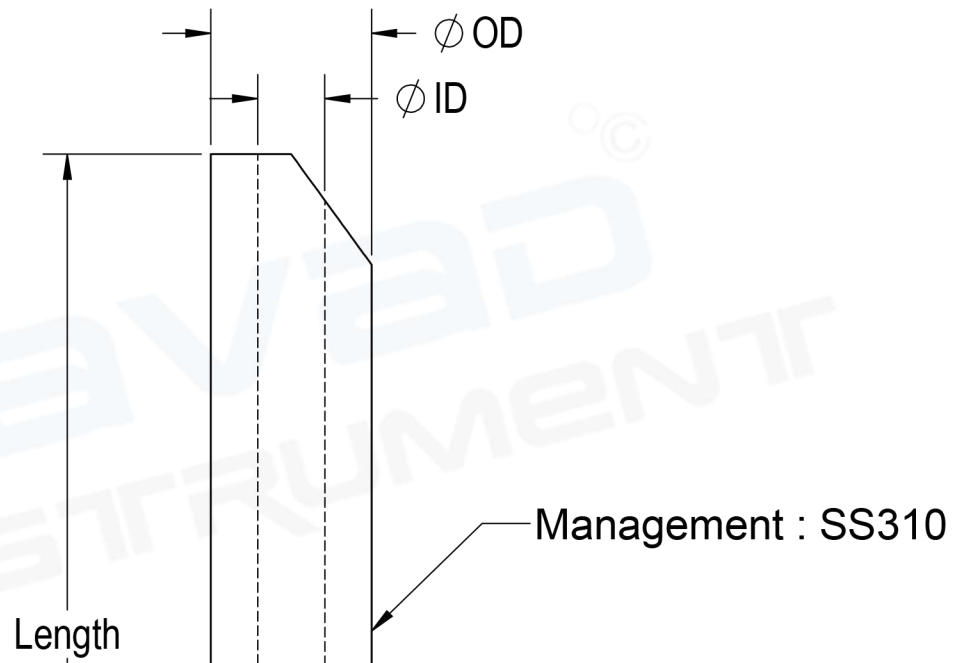


E

E

D

D



C

C

B

B

A

A

Flange Thickness

4

3

2

1