

4

3

2

1

F

F

E

E

D

D

C

C

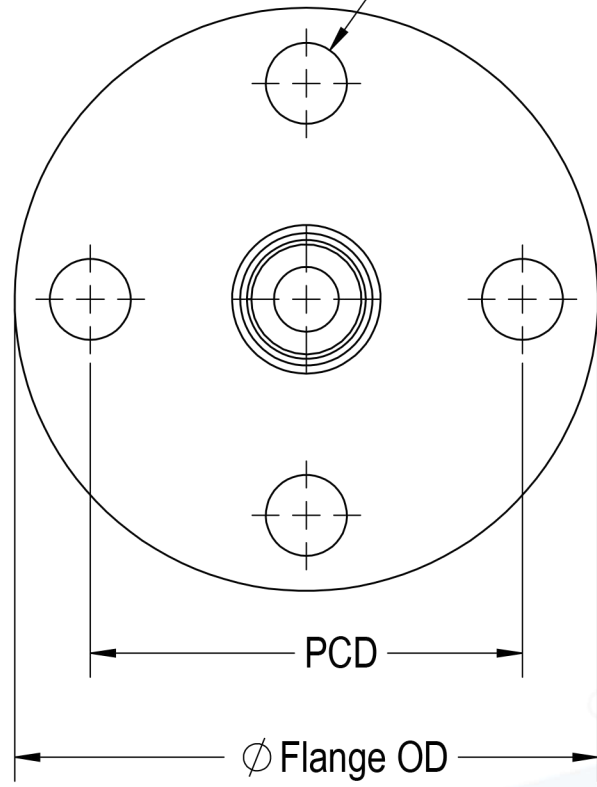
B

B

A

A

∅ Hole Dia.

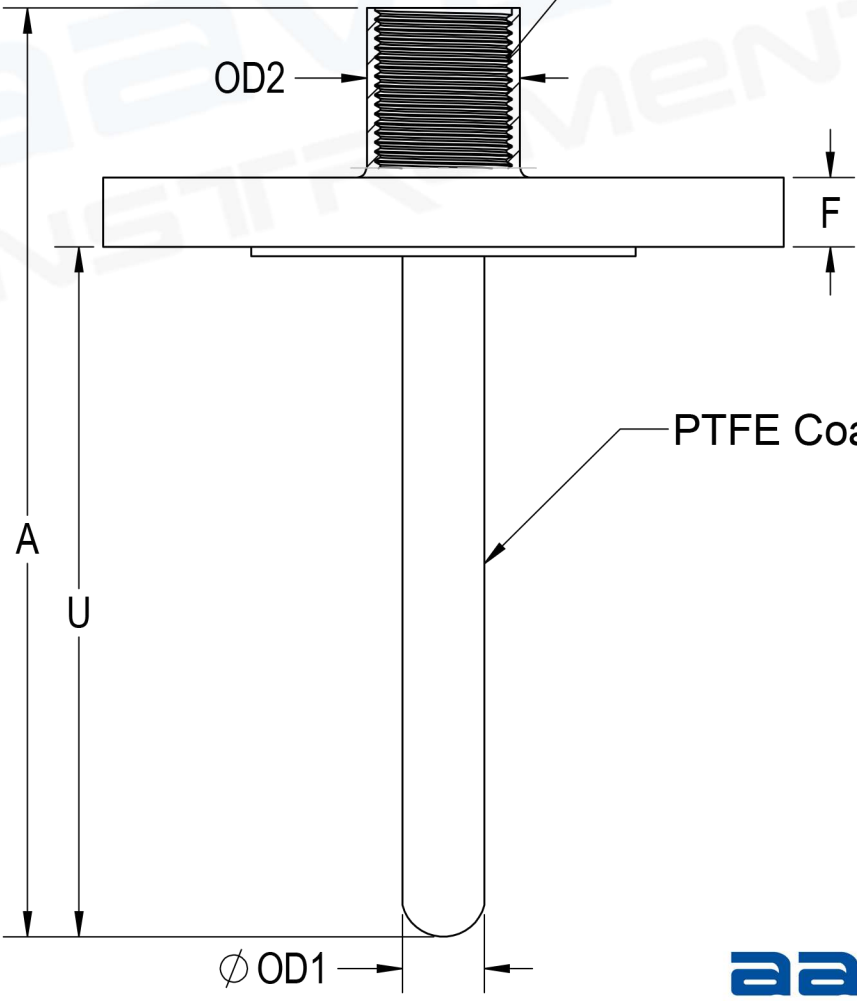


Instrument connection

OD2

F

PTFE Coating



4

3

2

1