

4

3

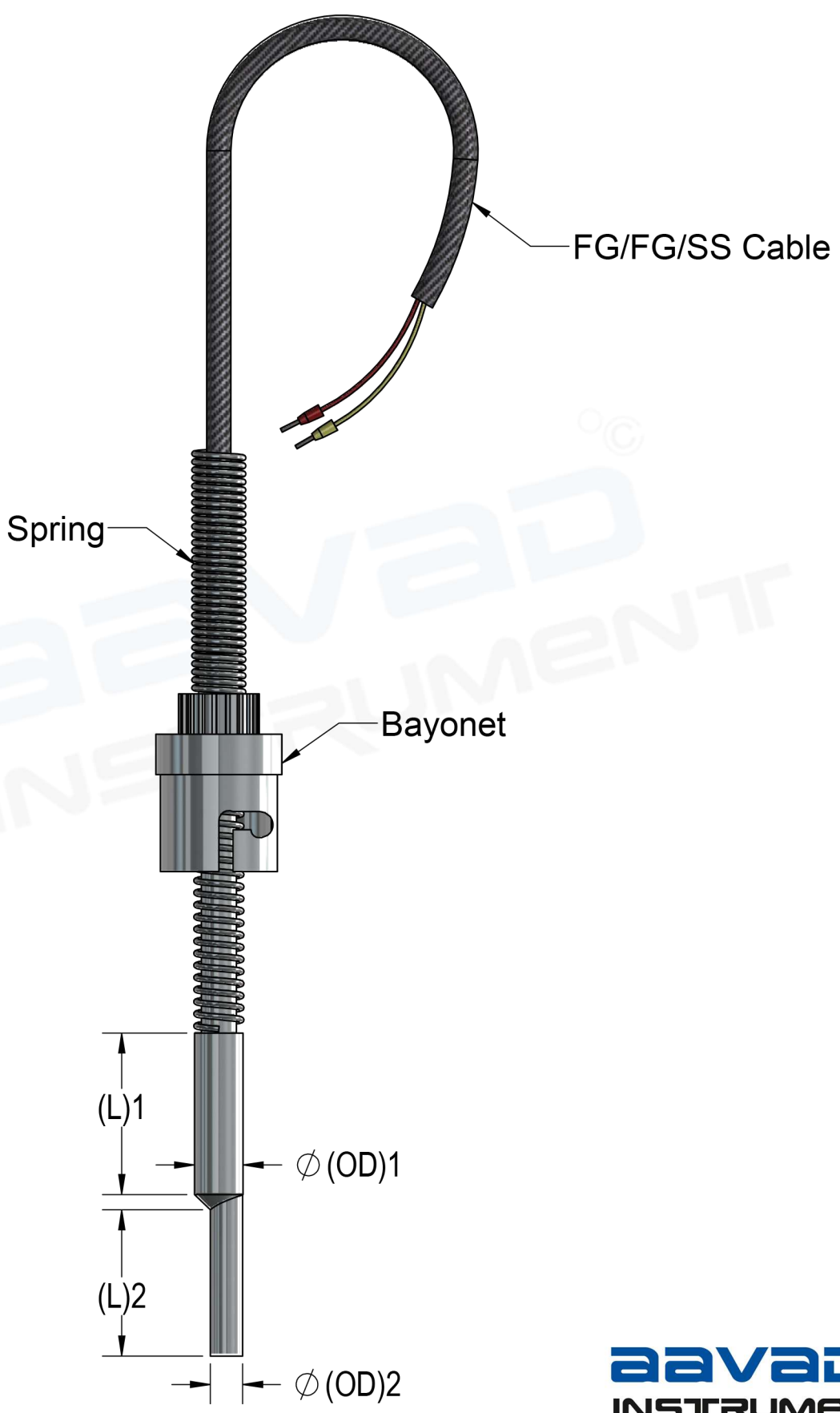
2

1

Spring Holder Thermocouple

F
E
D
C
B
A

F
E
D
C
B
A



4

3

2

1