

4

3

2

1

F

F

Protection head

E

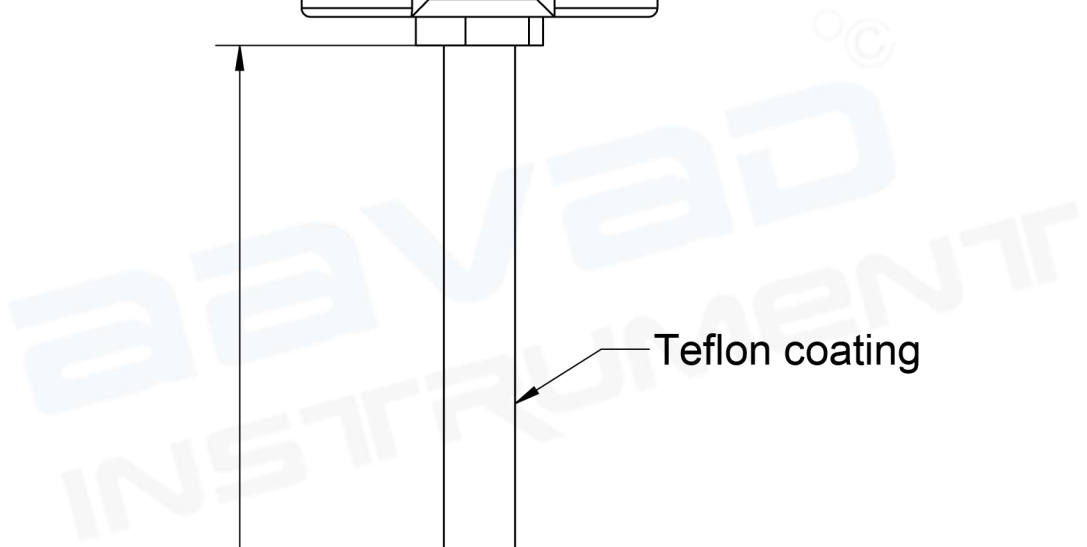
E

Cable entry

Modle	RTD (APFS)
Sr. No.	xxxx/xxxx
Len/Od	300/6mm
Aavad Instrument Pvt. Ltd.	

D

D



Teflon coating

C

C

Length

B

B

A

A

∅ OD

4

3

2

1