

4

3

2

1

F

F

E

E

D

D

C

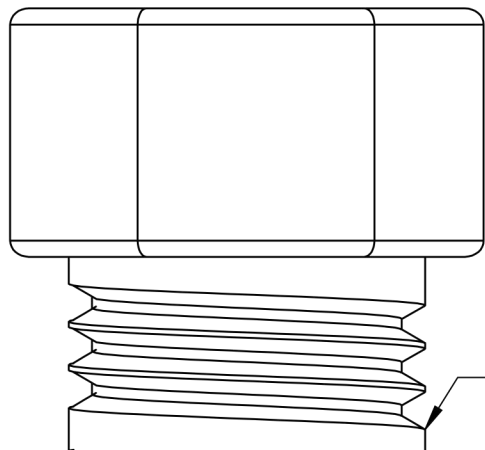
C

B

B

A

A

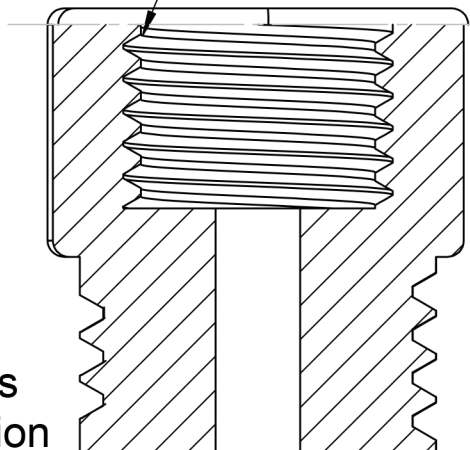


Process connection

U-Length

Ø OD

Instrument connection



ID